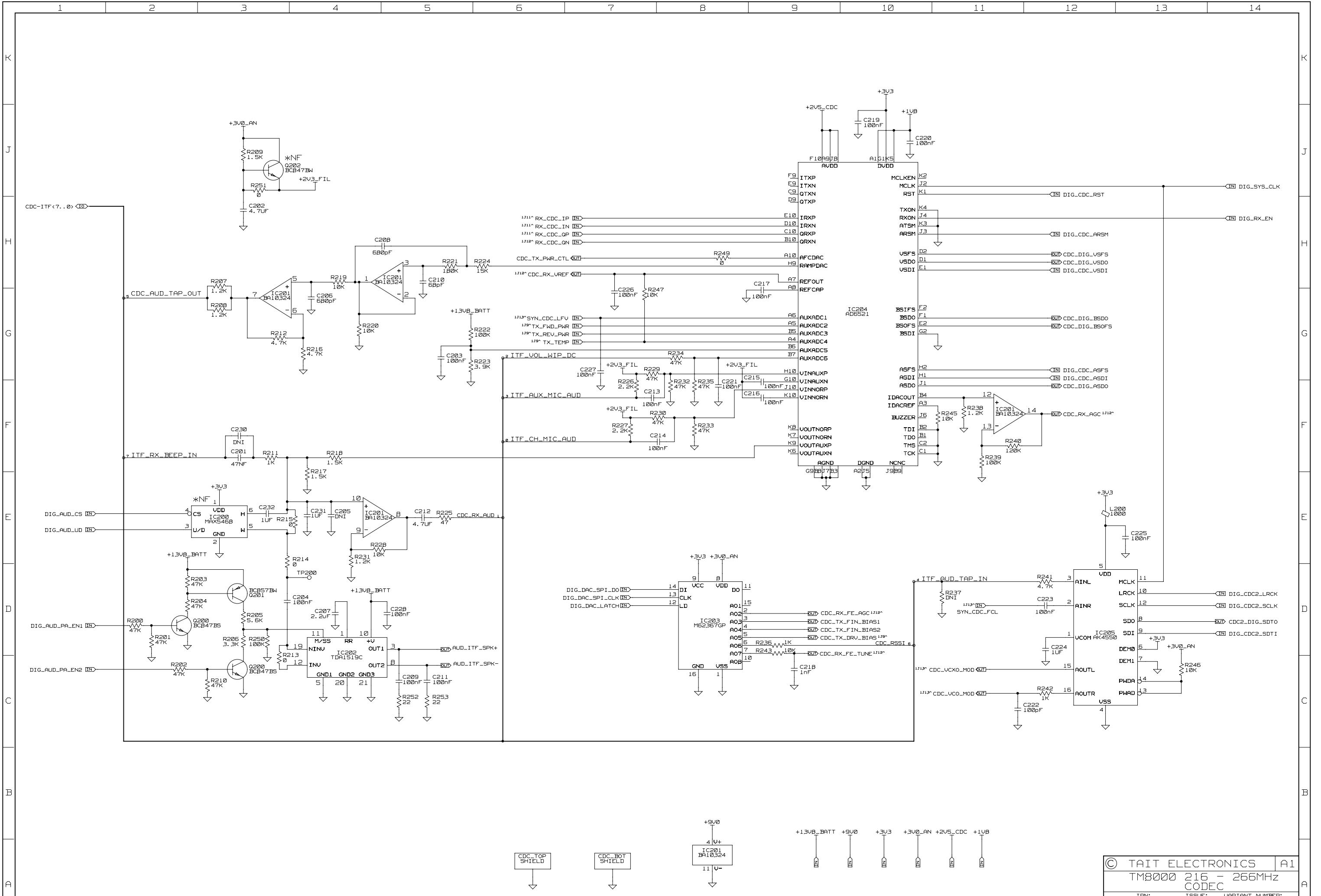


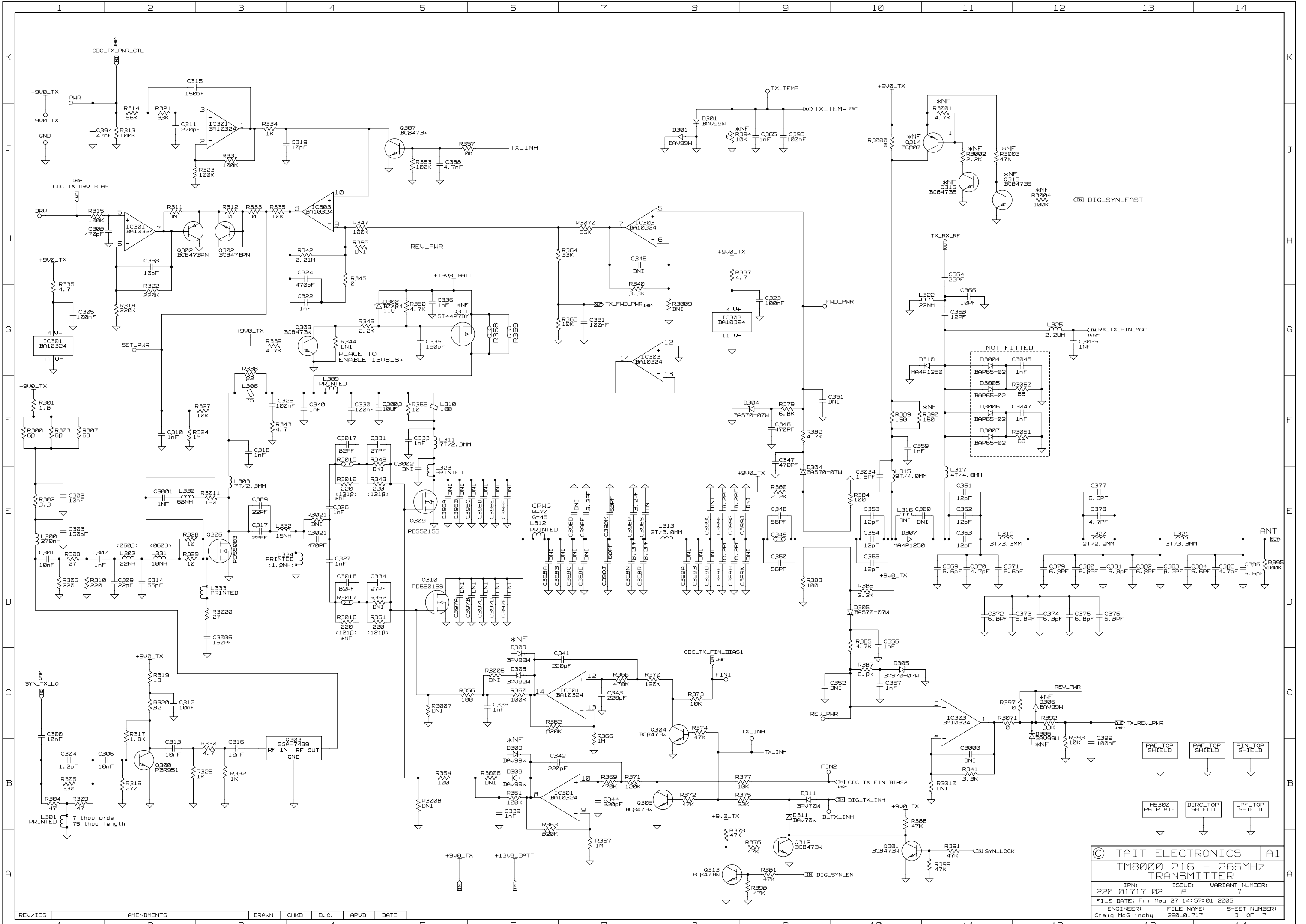
REV/ISS	AMENDMENTS	DRAWN	CHKD	D.O.	APVD	DATE
02A	RF9667 + VARIOUS UPDATES					16/05/05
01C	SHIFTED ASSEMBLY DRAWINGS DESIGNATIONS					06/05/04
01B	ADD MISSING THERMAL VIAS AUD PA + VALUE CHANGES					06/05/04
01A	IPN CHANGED FROM 226-00138-04. + TX UPDATES					15/01/04

© TAIT ELECTRONICS		A1
TM8000 216 - 266MHZ SYSTEM		
IPN: 220-011717-02	ISSUE: A	VARIANT NUMBER: ?
FILE DATE: Thu May 26 08:48:36 2005		
ENGINEER: Craig McGlinchy	FILE NAME: 220_011717	SHEET NUMBER: 1 OF 7



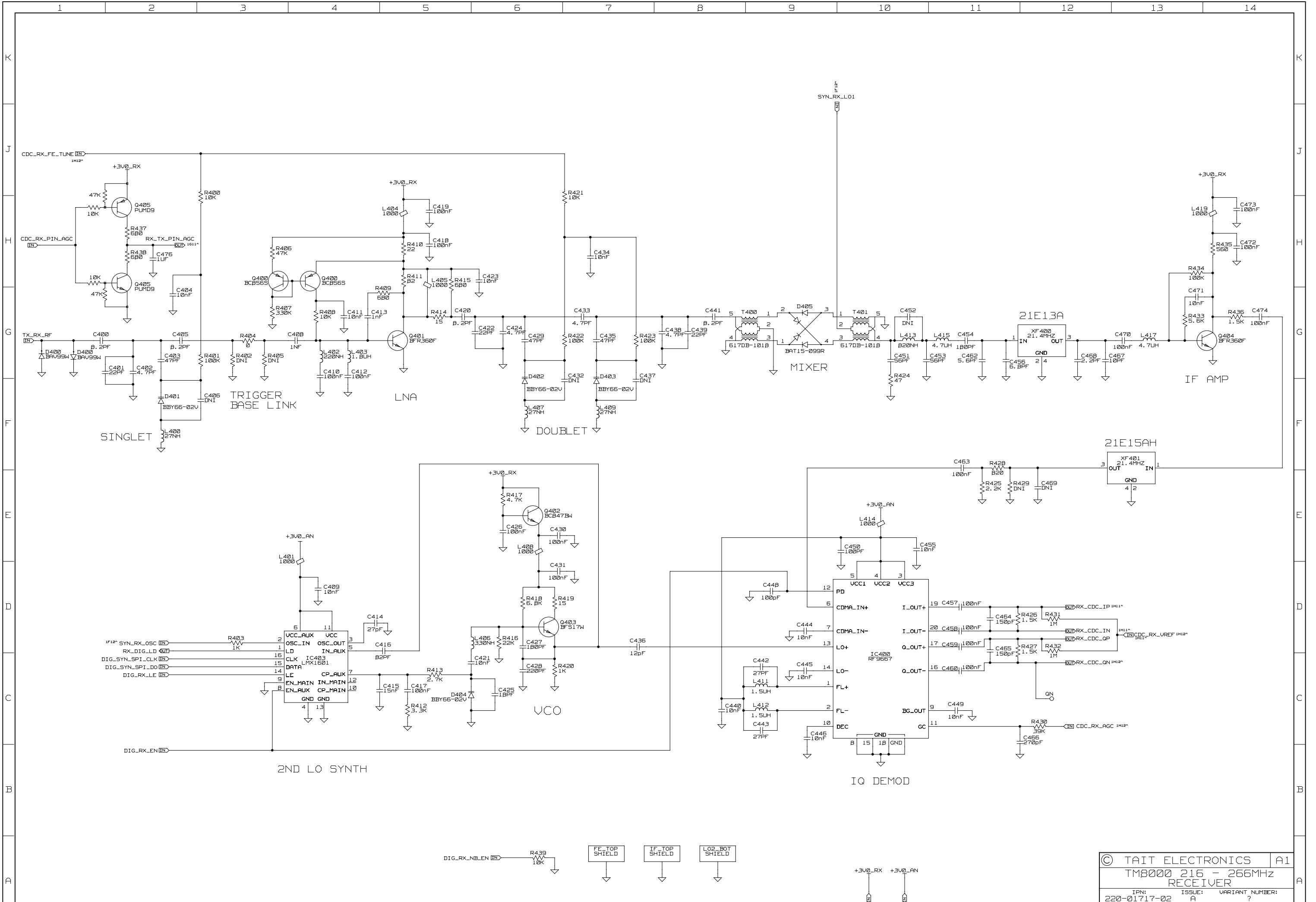
REV/ISS	AMENDMENTS	DRAWN	CHKD	D.O.	APVD	DATE
1						

© TAIT ELECTRONICS | A1
 TM8000 215 - 266MHZ CODEC
 IPN: 220-01717-02 ISSUE: A VARIANT NUMBER: ?
 FILE DATE: Thu May 26 08:48:39 2005
 ENGINEER: Craig McGlinchy FILE NAME: 220_01717 SHEET NUMBER: 2 OF 7



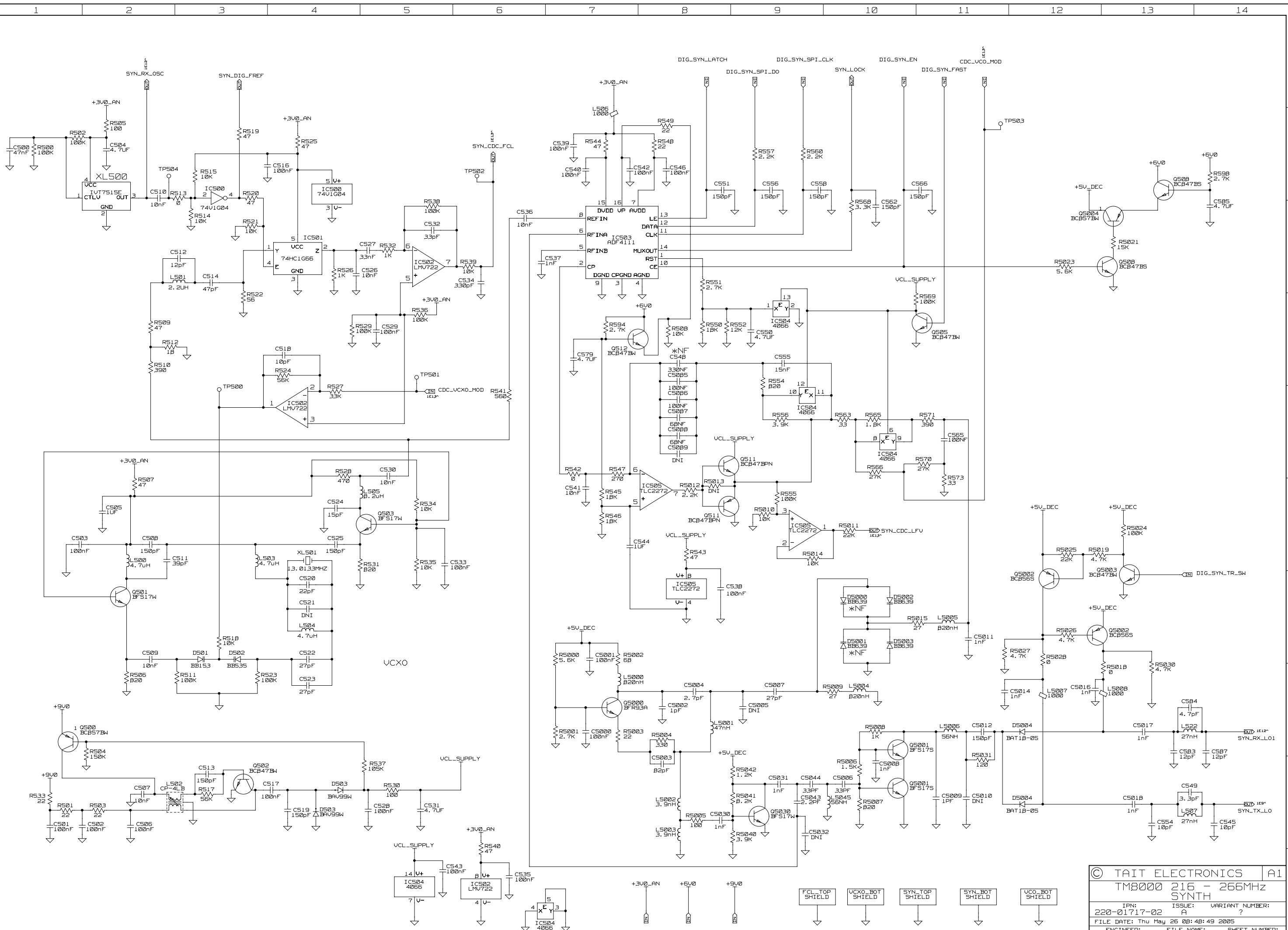
© TAIT ELECTRONICS | A1
 TM8000 216 - 266MHZ
 TRANSMITTER
 IPN: 220-01717-02 ISSUE: VARIANT NUMBER:
 FILE DATE: Fri May 27 14:57:01 2005 A ?
 ENGINEER: Craig McGlinchy FILE NAME: 220_01717 SHEET NUMBER:
 3 OF 7

REV/ISS	AMENDMENTS	DRAWN	CHKD	D.O.	APVD	DATE
1						



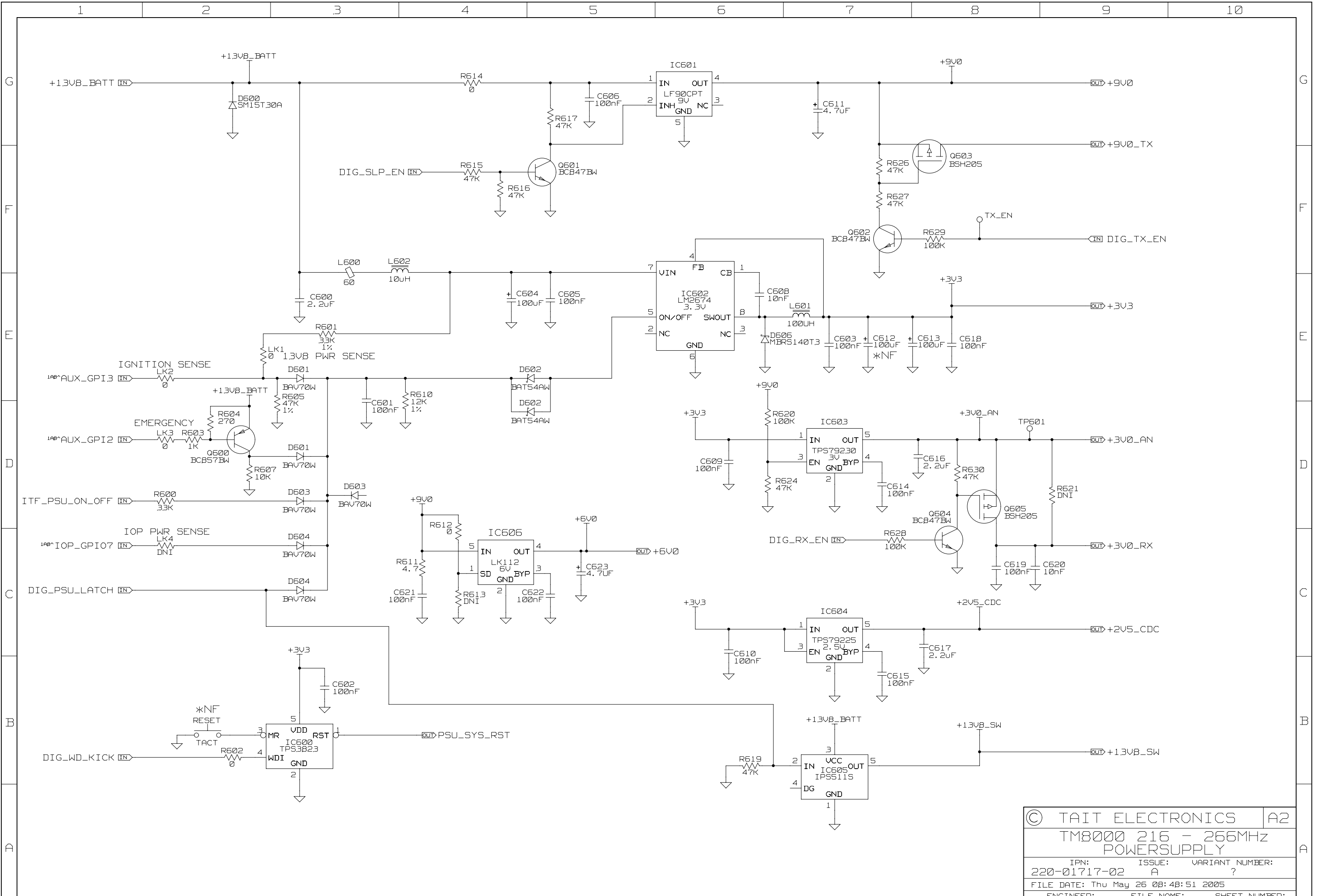
REV/ISS	AMENDMENTS	DRAWN	CHKD	D.O.	APVD	DATE
1						

© TAIT ELECTRONICS		A1
TM8000 216 - 266MHZ RECEIVER		
IPN: 220-01717-02	ISSUE: A	VARIANT NUMBER: ?
FILE DATE: Thu May 26 08:48:45 2005		
ENGINEER: Craig McGlinchy	FILE NAME: 220_01717	SHEET NUMBER: 4 OF 7



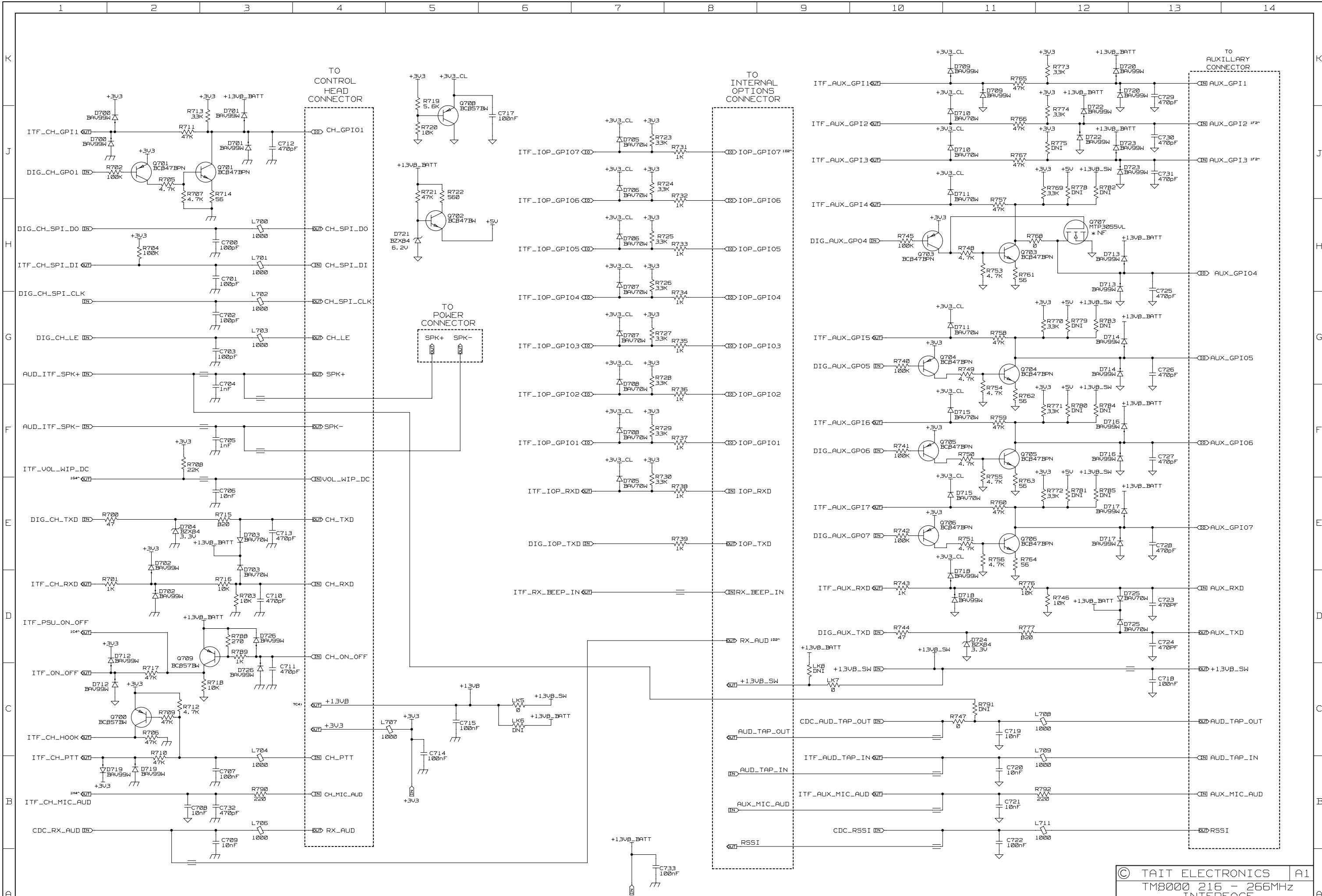
REV/ISS	AMENDMENTS	DRAWN	CHKD	D.O.	APVD	DATE
1						

© TAIT ELECTRONICS		A1
TM8000 216 - 266MHZ SYNTH		
IPN: 220-01717-02	ISSUE: A	VARIANT NUMBER: ?
FILE DATE: Thu May 26 08:48:49 2005		
ENGINEER: Craig McGlinchy	FILE NAME: 220_01717	SHEET NUMBER: 5 OF 7



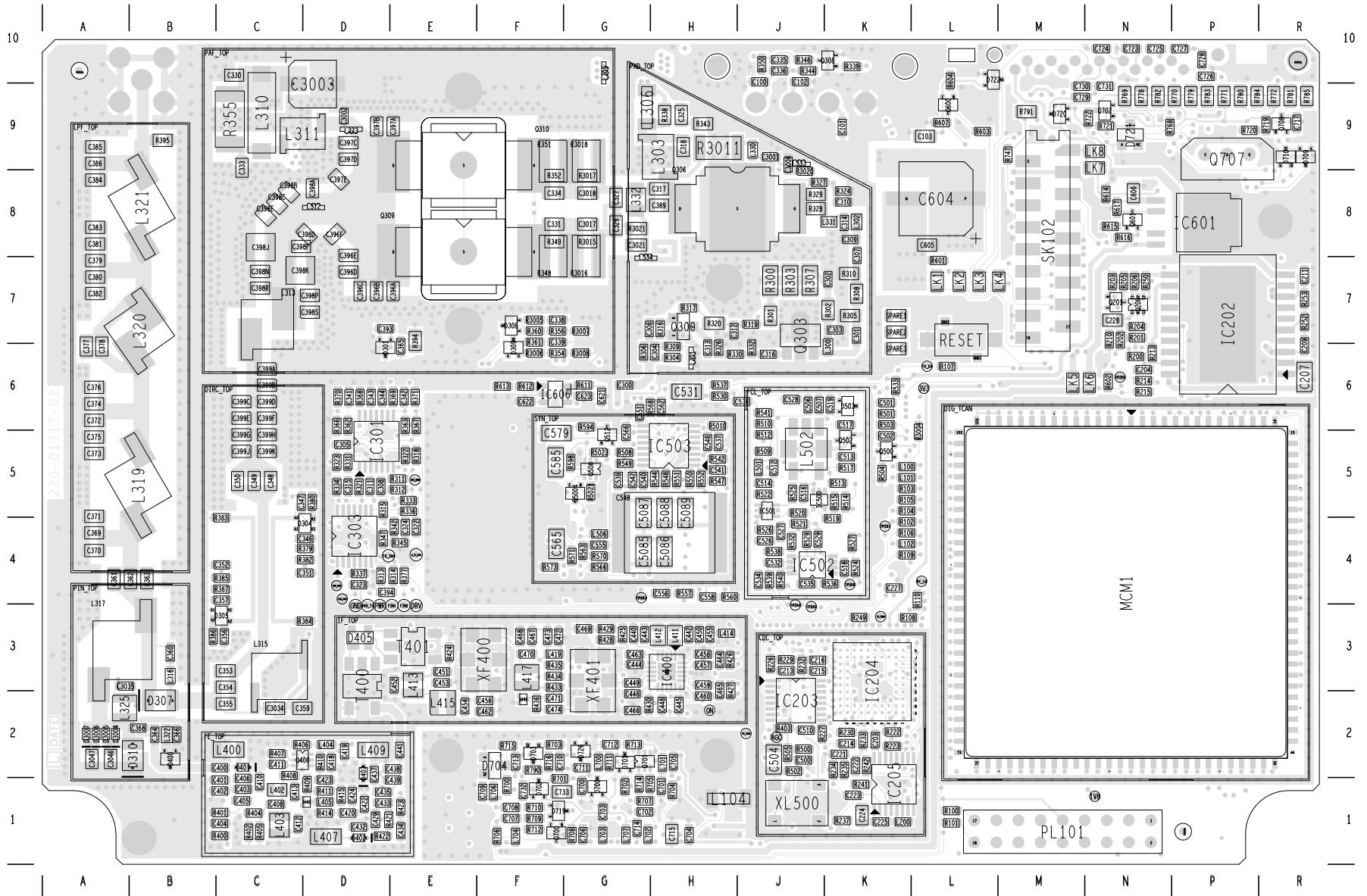
© TAIT ELECTRONICS		A2
TM8000 216 - 266MHZ POWERSUPPLY		
IPN: 220-01717-02	ISSUE: A	VARIANT NUMBER: ?
FILE DATE: Thu May 26 08:48:51 2005		
ENGINEER: Craig McGlinchy	FILE NAME: 220_01717	SHEET NUMBER: 6 OF 7

REV/ISS	AMENDMENTS	DRAWN	CHKD	D. O.	APVD	DATE
1						



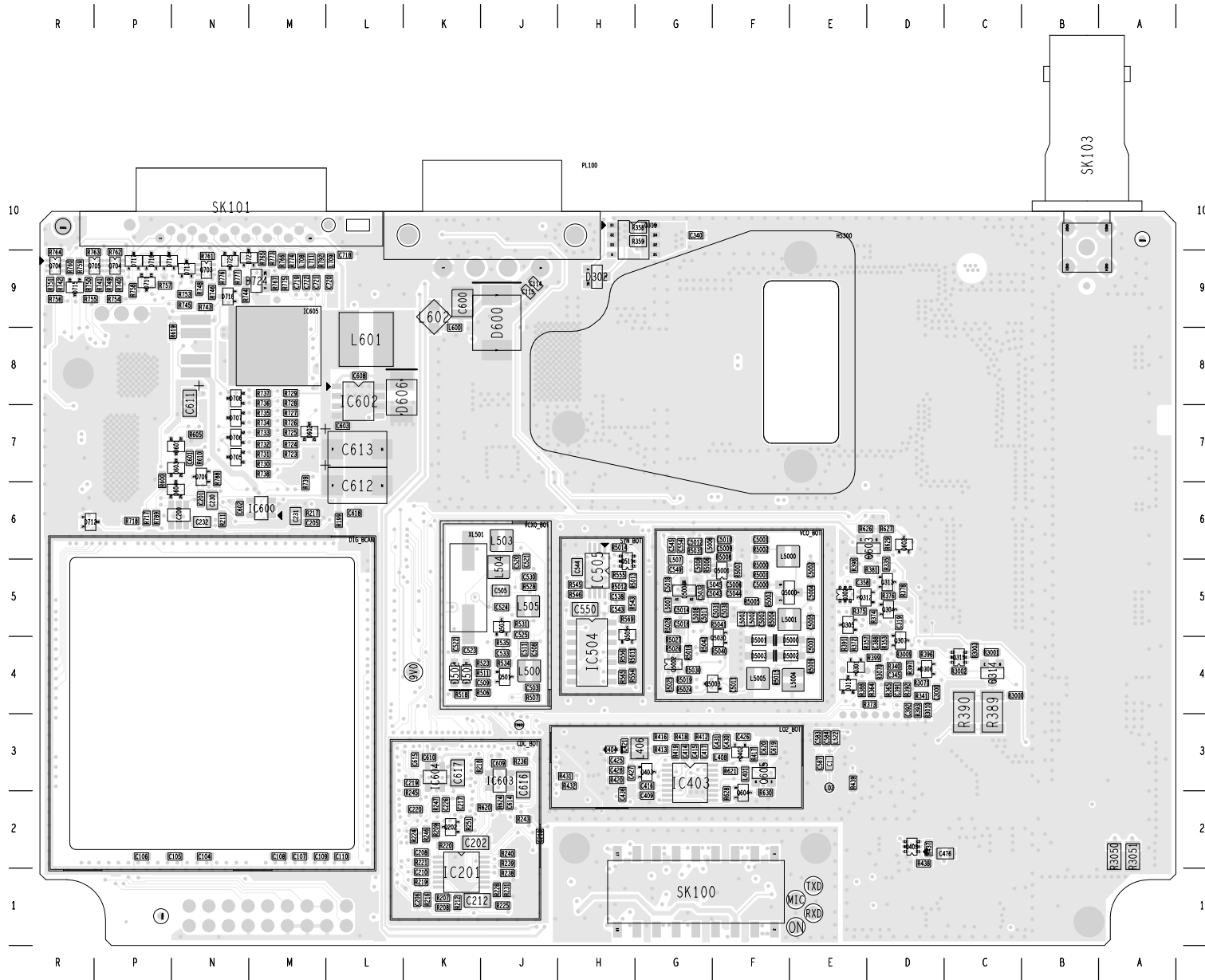
© TAIT ELECTRONICS | A1
 TM8000 216 - 266MHz
 INTERFACE
 IPN: 220-01717-02 ISSUE: A VARIANT NUMBER: ?
 FILE DATE: Thu May 26 08:48:53 2005
 ENGINEER: Craig McGlinchey FILE NAME: 220_01717 SHEET NUMBER: 7 OF 7

REV/ISS	AMENDMENTS	DRAWN	CHKD	D.O.	APVD	DATE
1						



TAIT ELECTRONICS IPN: 220-01717-02 ISS: A DATE: 31May05 SCALE: NTS

TM8000 216 - 266 MHz LAYOUT-PRIMARY-SIDE



TAIT ELECTRONICS IPN: 220-01717-02 ISS: A DATE: 31May05 SCALE: NTS
 TM8000 216 - 266 MHz LAYOUT-SECONDARY-SIDE